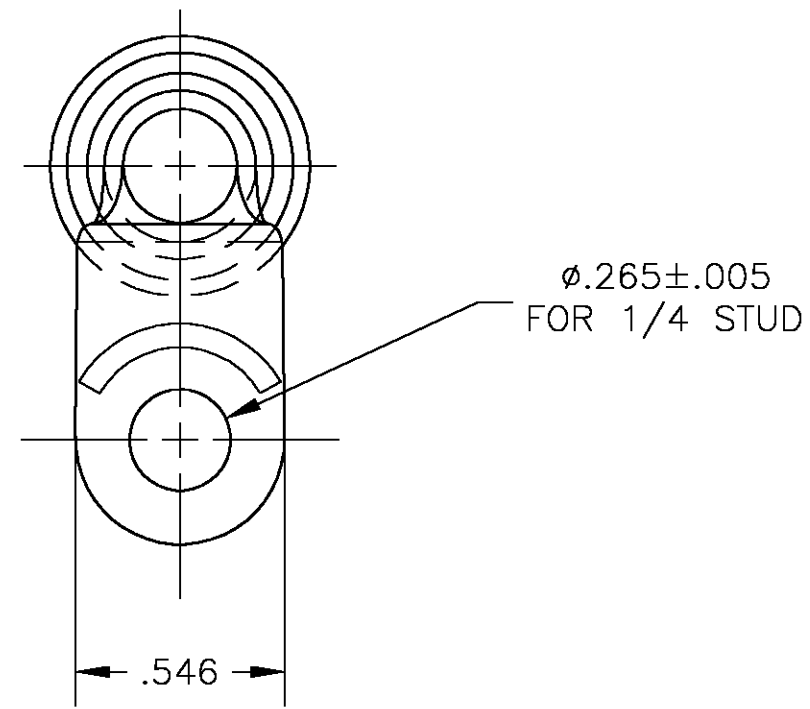
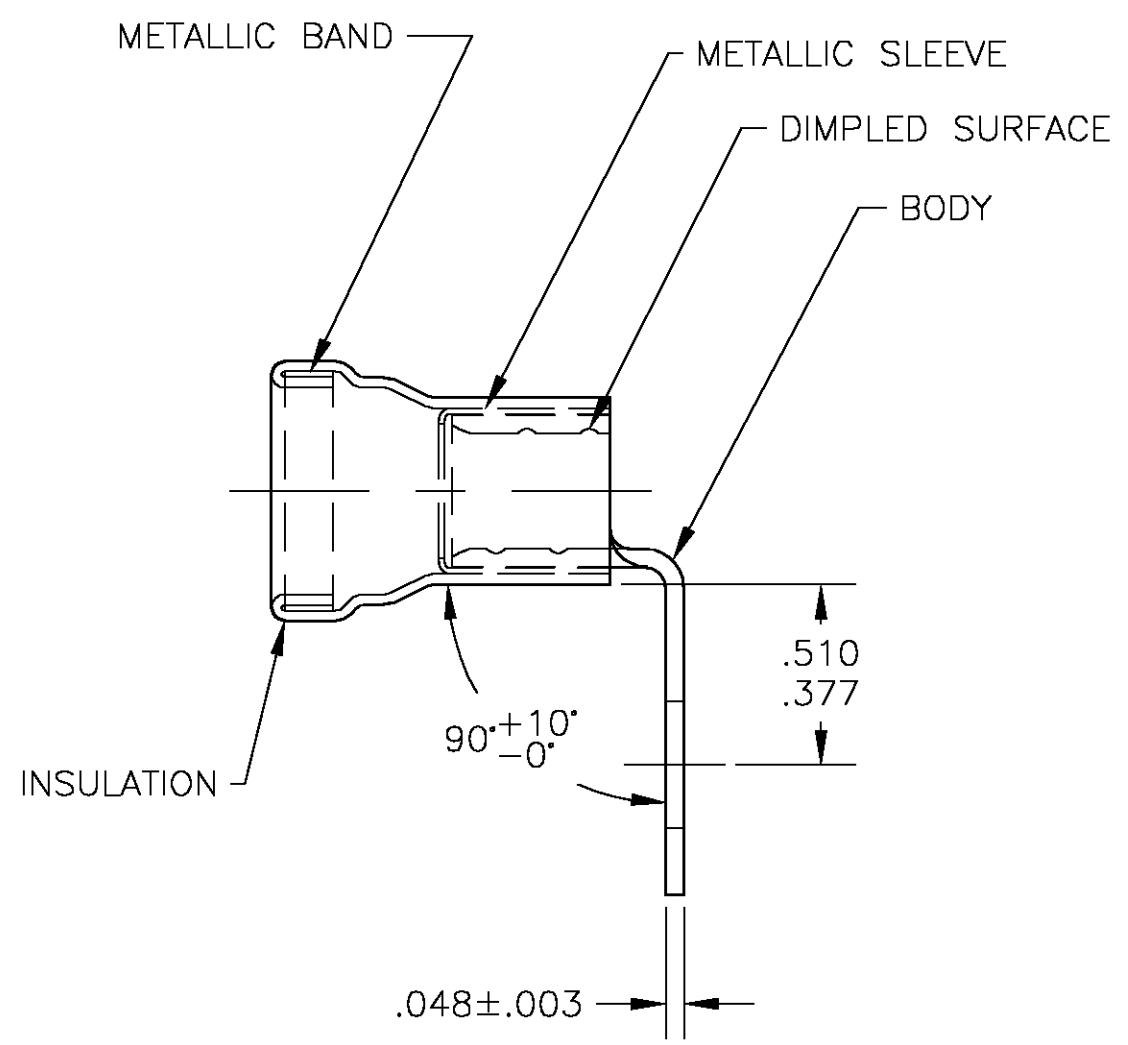


THIS DRAWING IS UNPUBLISHED. RELEASED FOR PUBLICATION
 © COPYRIGHT BY TYCO ELECTRONICS CORPORATION. ALL RIGHTS RESERVED.

LOC	DIST	REVISIONS			
P	LTR	DESCRIPTION	DATE	DWN	APVD
G	14	E	REV PER 0G3A-0292-04	16APR04	JR MS



- 1 FOR .436 MAX WIRE INSULATION DIA
- 2 MATERIAL: BODY - COPPER PER ASTM B-152
INSULATION - PVC
METALLIC SLEEVE - COPPER PER ASTM B-152
METALLIC BAND - STEEL PER ASTM A-109
- 3 FINISH: BODY - TIN PLATE PER ASTM B-545
INSULATION - YELLOW

322894
PART NO

THIS DRAWING IS A CONTROLLED DOCUMENT.		DWN jr_ruth 16APR04	Tyco Electronics Corporation Harrisburg, PA 17105		
DIMENSIONS: INCHES		CHK MJ SPICER 16APR04	NAME		
		APVD MJ SPICER 16APR04	WIRE TERMINAL AMPLI-BOND, RING TONGUE, BENT 90, WIRE SIZE: #4		
TOLERANCES UNLESS OTHERWISE SPECIFIED:		PRODUCT SPEC	SIZE	CAGE CODE	DRAWING NO
0 PLC ± -	1 PLC ± -	APPLICATION SPEC	A3	00779	C-322894
2 PLC ± -	3 PLC ± .008	WEIGHT	RESTRICTED TO		
4 PLC ± -	ANGLES ± 5°	CUSTOMER DRAWING	SCALE	SHEET	REV
MATERIAL - 2	FINISH - 3		2:1	1 OF 1	E